

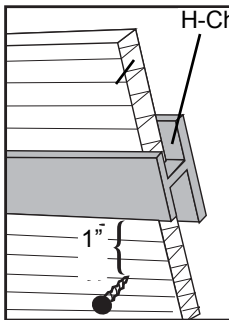
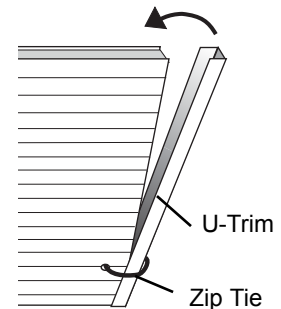
HINTS FOR SOLEXX™ PANEL APPLICATION

Solexx is very strong yet flexible, making it easy to work with. Because it is translucent and diffuses light, it makes an ideal covering for greenhouses, end walls, light panels in barns.....the possibilities are endless. Following are a few tips on how to handle this revolutionary paneling:

1. If your panels are packaged in a drum when you receive them, straighten them by opening the drum and laying the panels out flat, in a warm environment. Also, if the panels have been in storage for a period of time, they may develop a slight "yellow" tint from the UV inhibitor. Exposure to direct sunlight should quickly clear this up.
2. Apply panels when the temperature is moderate (for your climate) to compensate for expansion and contraction.
3. We recommend that the framing or trusses to support your corrugated panels be placed 16" - 24" apart.
4. We've found that placing your panels so that the flutes run perpendicular to your frame provide the maximum amount of strength for your structure. When attaching the screws to plastic framing or wood (you'll need about 25-30 screws per panel), we recommend using our 1" screws with neoprene washers which prevents water from leaking into the flutes. Our 3/4" drill screws are for installing panels onto metal framing. We suggest placing the screws about 18" apart on the stringers, and about 9" apart on the perimeter. Be careful not to over-torque the screws, or you may crush the panel. The washers should just make a dimple in the plastic.

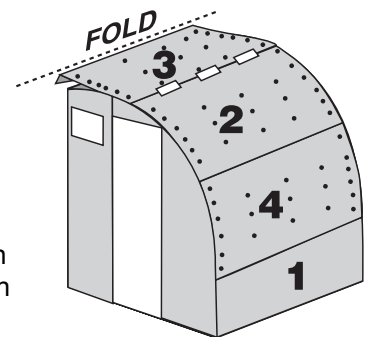
5. **CUTTING:** You can cut the panel on the ground using a utility knife, on a panel saw, or attach the panel to your structure and use the frame as a guide.

6. **U-TRIM:** On all exposed fluting (4' side of panels) we recommend you insert 1/4" of GE Silicone II Clear caulking (#5000) into flutes, to prevent water and dirt intrusion. Then slide U-Trim over the ends of panels for a permanent cap. Secure U-Trim with small Zip Ties by poking a small hole in panels with a large paper clip or small nail. Place each Zip Tie about one foot apart. Put caulking in all the holes you created to stop water penetration.



7. **H-CHANNEL:** Panels can be joined together using H-Channel. This locks them into place and can help prevent water leakage. Attach one panel to your framing and leave about a 1/4" gap when you are attaching the second. Secure panels by placing screws into frame 1" from each side of H-Channel. Be sure to leave enough space for the H-Channel to slide between the panels without running into a screw. If H-Channel is difficult to slide on, try spraying grooves of the H-Channel and the edge of the panel with a little WD-40. Also try taking a dry bar of soap and rubbing it on panels or tapping on ends with a rubber mallet.

8. Sheets may not be exactly square. Do not use the panels to square your structure.
9. It's not necessary to cut Solexx when installing over roof peaks or around corners. You can score the plastic using a straight edge and a small blunt object such as the lid of a pen or the dull side of a knife (be careful not to cut the plastic), and then fold the plastic along the scored line. The plastic can be scored either in the direction of the flutes or across the flutes.



10. Although Solexx panels do not have a "building code certification" they have been used for deck coverings, carports, and wood storage. Some have good results, although we have found that it may not be the most suitable product for these applications.